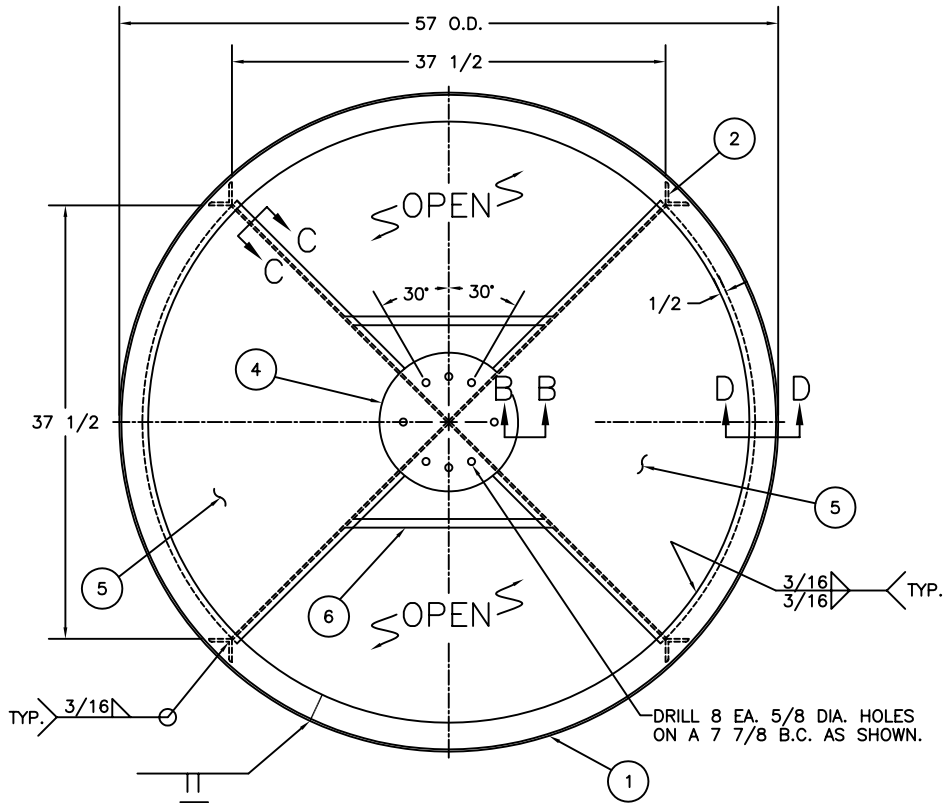
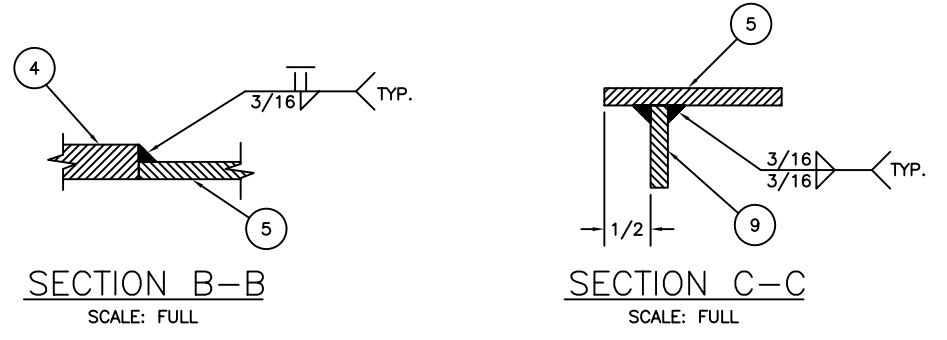


8x26 LR/LWR TOWER
SCALE: 1-1/2"=1'-0"

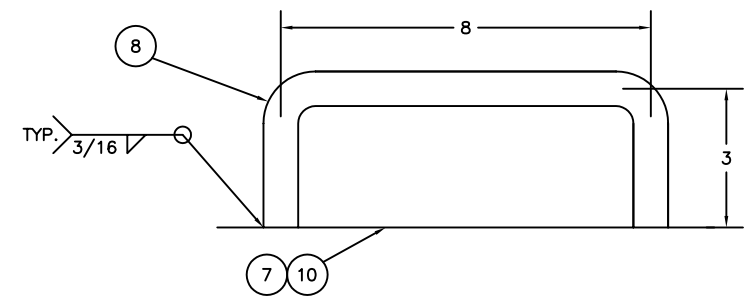


SECTION A-A
SCALE: 1-1/2"=1'-0"

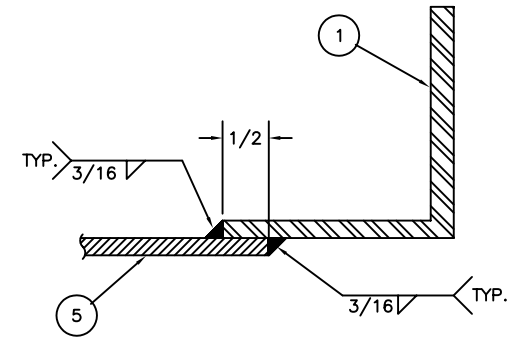


SECTION B-B
SCALE: FULL

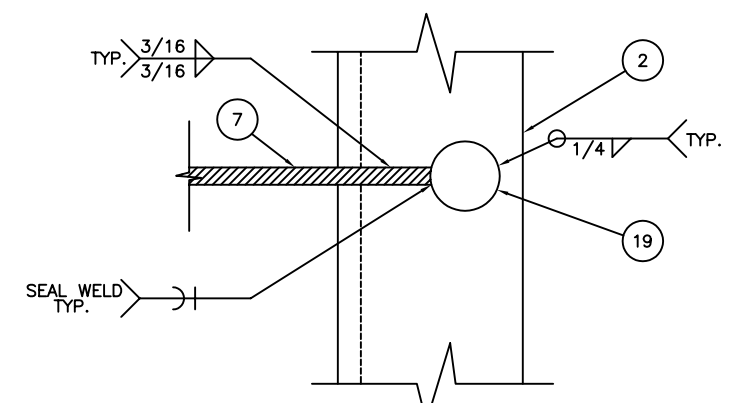
SECTION C-C
SCALE: FULL



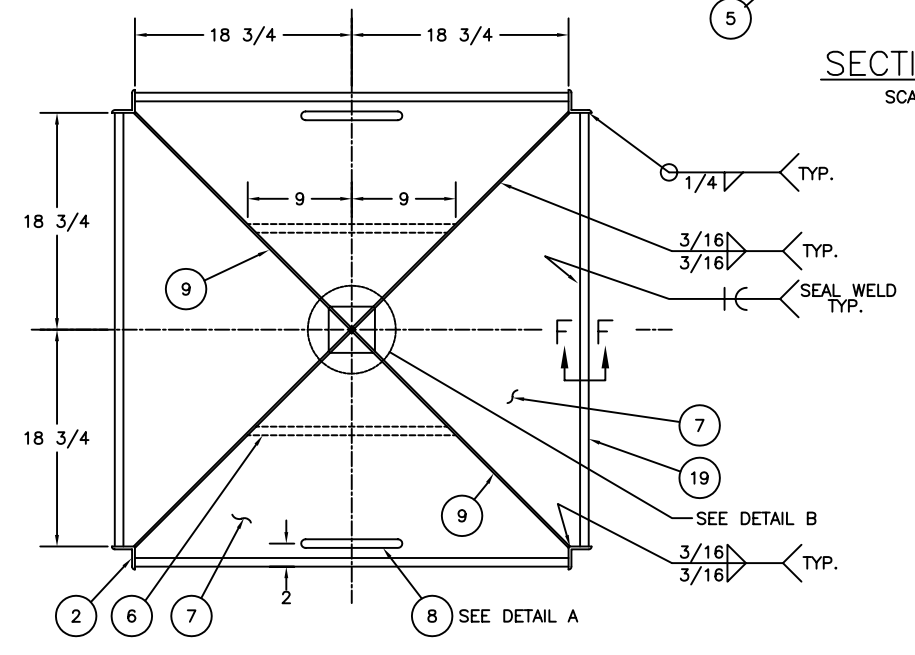
DETAIL A
SCALE: HALF



SECTION D-D
SCALE: FULL

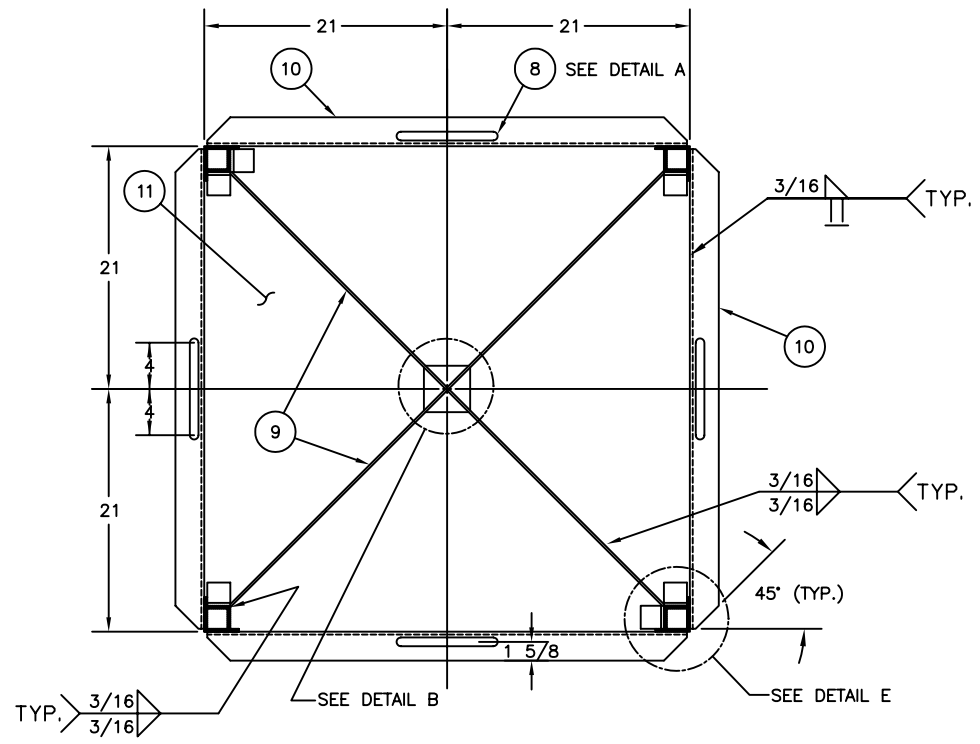


SECTION F-F
SCALE: FULL

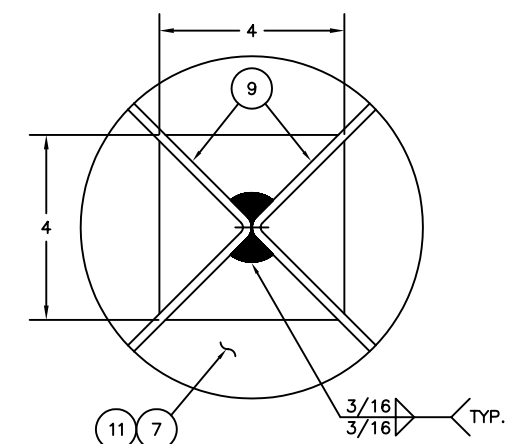


SECTION E-E
SCALE: 1-1/2"=1'-0"

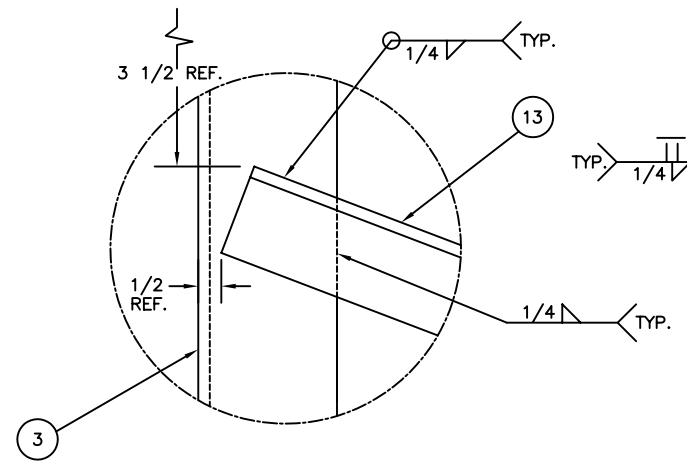
REV.	DATE	APPR.	DESCRIPTION	BY
DESIGNED:	S.M.		U.S. COAST GUARD	HEADQUARTERS
DRAWN:	S.M.		CIVIL ENGINEERING	
TRACED:			8x26 LR/LWR	
CHECKED:			BUOY TOWER	
REVIEWED BY:				
	Sean McEvoy			
	PROJECT ENGINEER			
REVIEWED BY:				
	S. D. Walker			
	G-SEC-2B			
REVIEWED BY:		APPROVED:		DATE
	L. E. Jaeger		J. A. Rauch	8/13/96
	G-SEC-2		CHIEF, OFFICE OF CIVIL ENGINEERING	
UNLESS OTHERWISE SPECIFIED: ALL DIMENSIONS ARE IN INCHES. TOLERANCES: DIM. ±1/8 ANG. ±30°				DRAWING NUMBER
				121174
				REV.
				SCALE: AS NOTED SHEET 1 OF 3



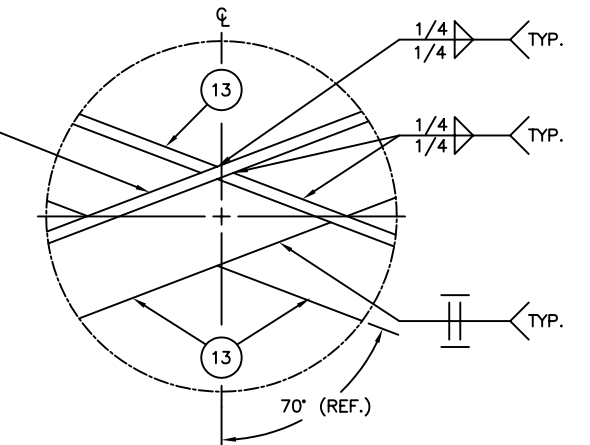
SECTION G-G
SCALE: 1-1/2"=1'-0"



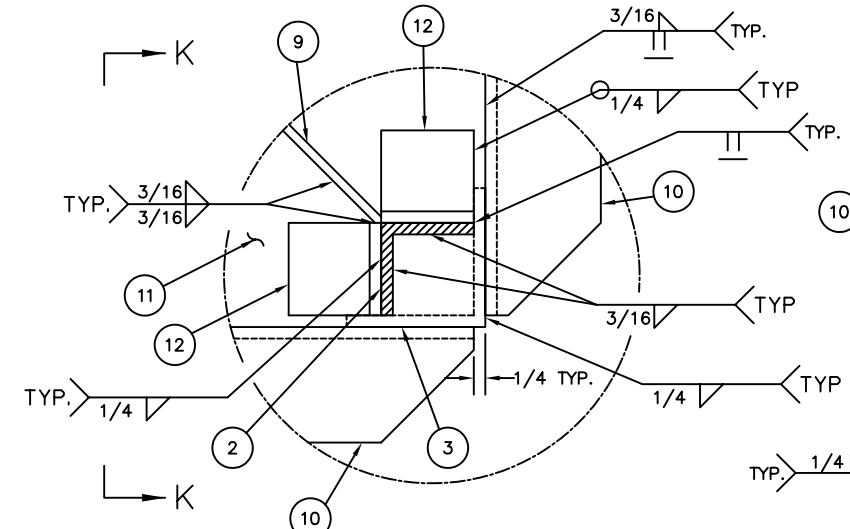
DETAIL B
SCALE: FULL



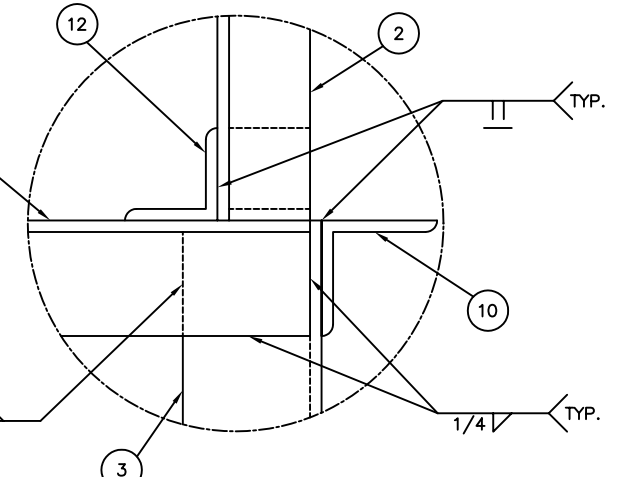
DETAIL C
SCALE: HALF



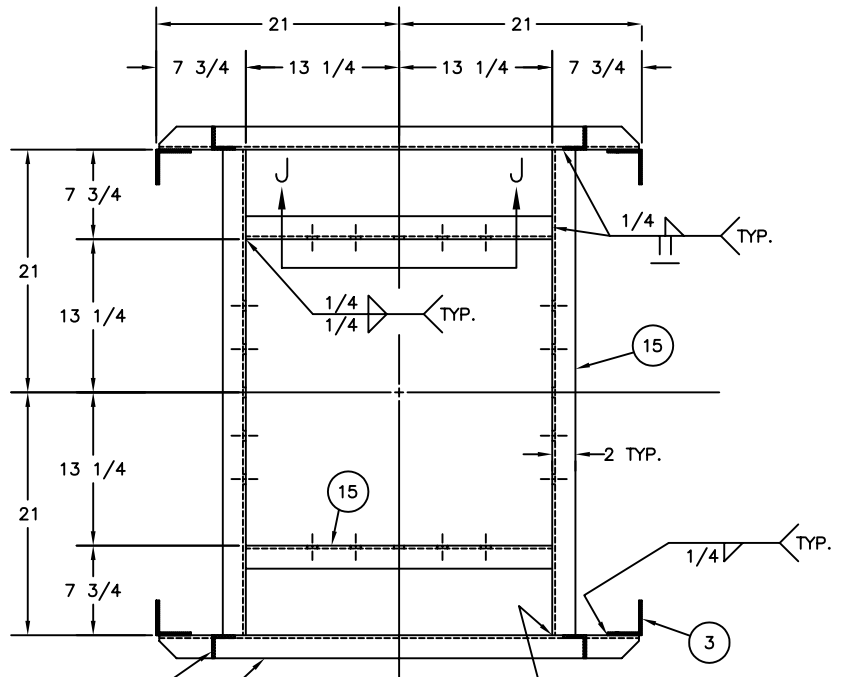
DETAIL D
SCALE: HALF



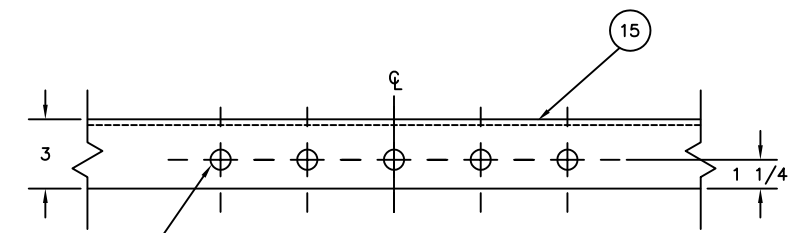
DETAIL E
SCALE: HALF



SECTION K-K
SCALE: HALF



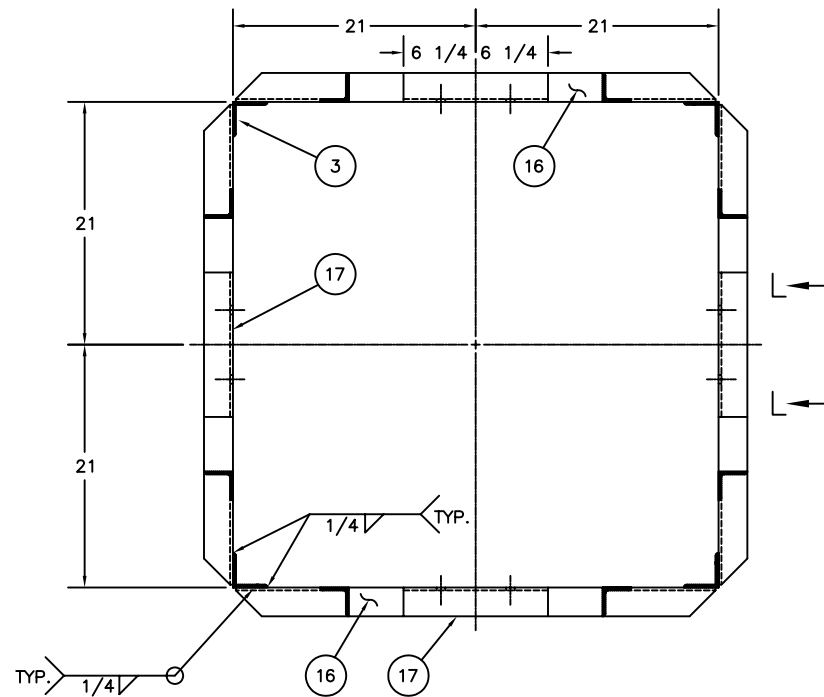
SECTION H-H
SCALE: 1-1/2"=1'-0"
(SEE NOTE 2)



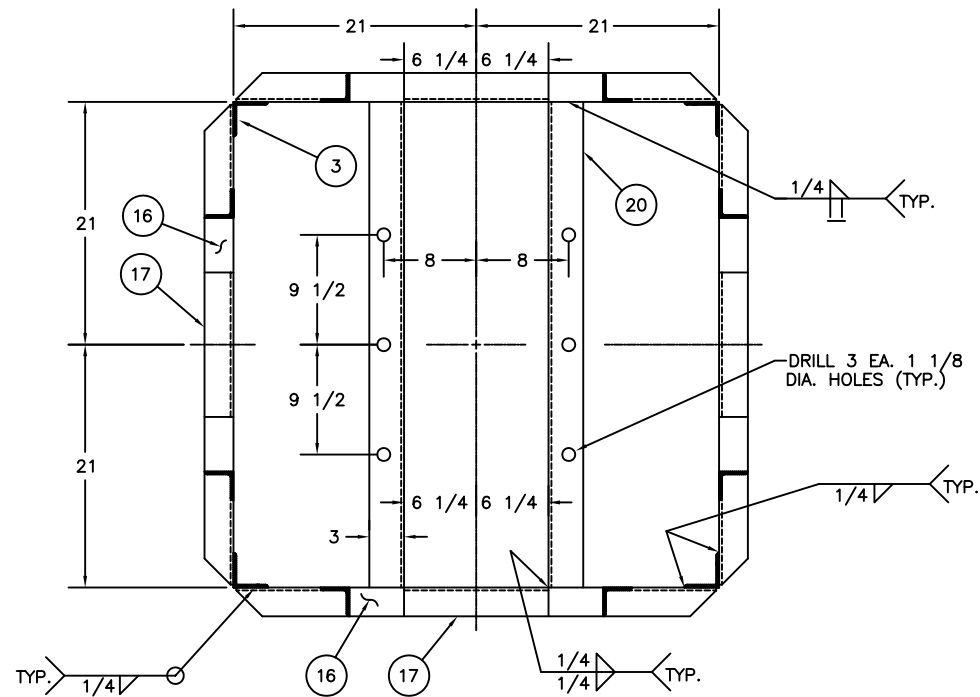
DRILL 5 HOLES-7/8 DIA.
SPACED AT 3 3/4 APART (TYP.)

SECTION J-J
SCALE: 3"=1'-0"

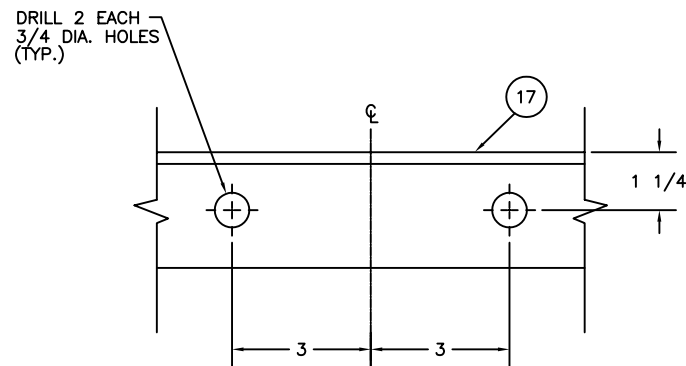
REV.	DATE	APPR.	DESCRIPTION	BY
DESIGNED:	S.M.		U.S. COAST GUARD	HEADQUARTERS
DRAWN:	S.M.		CIVIL ENGINEERING	
TRACED:			8x26 LR/LWR	
CHECKED:			BUOY TOWER	
REVIEWED BY:				
Sean McEvoy				
PROJECT ENGINEER				
REVIEWED BY:				
S. D. Walker				
G-SEC-2B				
REVIEWED BY:				
L. E. Jaeger			J. A. Rauch	8/13/96
G-SEC-2			CHIEF, OFFICE OF CIVIL ENGINEERING	
UNLESS OTHERWISE SPECIFIED: ALL DIMENSIONS ARE IN INCHES. TOLERANCES: DIM. ±1/8 ANG. ±30°				
DRAWING NUMBER				REV.
121174				
SCALE: AS NOTED			SHEET 2 OF 3	



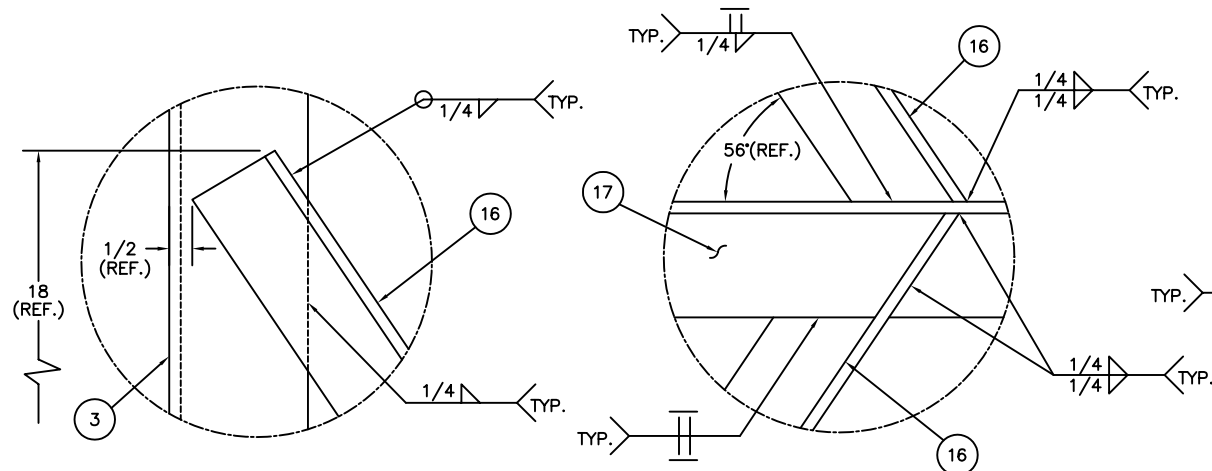
SECTION M-M
SCALE: 1-1/2"=1'-0"



SECTION M-M
SCALE: 1-1/2"=1'-0"
FOR "LWR" ONLY. SEE NOTE 2.

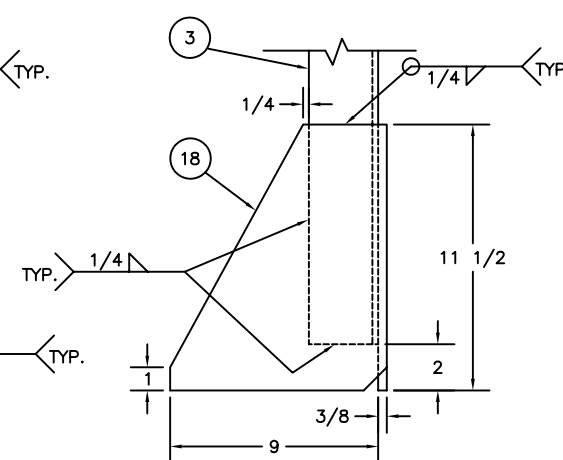


SECTION L-L
SCALE: HALF



DETAIL F
SCALE: HALF

DETAIL G
SCALE: HALF



DETAIL H
SCALE: HALF

BILL OF MATERIALS				
ITEM NO.	NO. REQ.	DESCRIPTION	MATL.	REMARKS
1	1	LANTERN RING	STEEL	2 1/2 x 2 1/2 x 3/16 L
2	4	RADAR REFLECTOR POSTS	STEEL	2 x 2 x 1/4 L
3	4	TOWER LEGS	STEEL	3 x 3 x 1/4 L
4	1	LANTERN BASE PLATE	STEEL	12 DIA. x 3/8 THK.
5	2	LANTERN RING REFLECTORS	STEEL	3/16 THK.
6	4	STEPS	STEEL	3/4 DIA. ROD
7	4	UPPER HORIZONTAL REFLECT.	STEEL	3/16 THK.
8	6	HAND GRABS	STEEL	3/4 DIA. ROD
9	2	VERTICAL REFLECTORS	STEEL	3/16 THK.
10	4	UPPER TOWER STRUTS	STEEL	2 1/2 x 2 1/2 x 1/4 L
11	1	LOWER HORIZONTAL REFLECT.	STEEL	3/16 THK.
12	6	ANGLE CLIPS	STEEL	2 x 2 x 1/4 L
13	12	CROSS BRACES	STEEL	2 x 2 x 1/4 L
14	2	MIDDLE TOWER STRUTS	STEEL	3 x 2 x 1/4 L
15	4	TAPPER SUPPORTS	STEEL	3 x 2 x 1/4 L
16	16	DIAGONAL BRACES	STEEL	2 1/2 x 2 1/2 x 1/4 L
17	4	LOWER TOWER STRUTS	STEEL	2 1/2 x 2 1/2 x 1/4 L
18	4	TOWER FEET	STEEL	3/8 THK.
19	4	UPPER REFLECTOR BAR	STEEL	3/4 DIA. ROD
20	2	WHISTLE VALVE SUPPORT	STEEL	3 x 2 1/2 x 1/4 L

NOTES:

- SEE LATEST REVISION OF U.S.C.G. CIVIL ENGINEERING SPECIFICATION No. 464 FOR FABRICATION REQUIREMENTS.
- FOR THE "LWR" TOWER ONLY, INSTALL ITEM 20 AND REMOVE ITEM 15.

REV.	DATE	APPR.	DESCRIPTION	BY
DESIGNED:	S.M.		U.S. COAST GUARD	HEADQUARTERS
DRAWN:	S.M.		CIVIL ENGINEERING	
TRACED:			8x26 LR/LWR	
CHECKED:			BUOY TOWER	
REVIEWED BY:				
Sean McEvoy				
PROJECT ENGINEER				
REVIEWED BY:				
S. D. Walker				
G-SEC-2B				
REVIEWED BY:				
L. E. Jaeger			J. A. Rauch	8/13/96
G-SEC-2			CHIEF, OFFICE OF CIVIL ENGINEERING	
UNLESS OTHERWISE SPECIFIED: ALL DIMENSIONS ARE IN INCHES. TOLERANCES: DIM. ±1/8 ANG. ±30'			DRAWING NUMBER	REV.
			121174	
PLOTING SCALE: 1-1/2"=1'-0"			SCALE: AS NOTED	SHEET 3 OF 3